

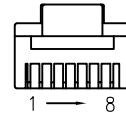
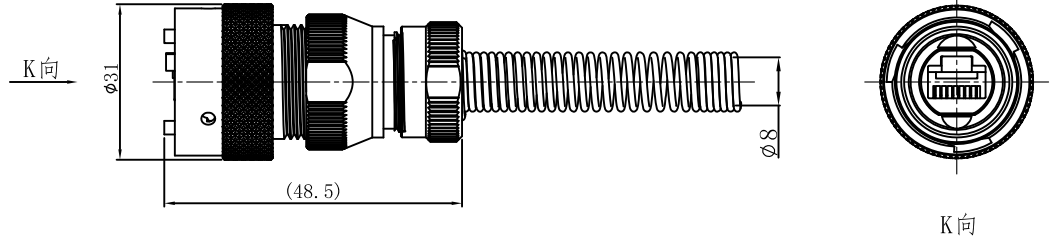
1) Product main performance/产品主要性能指标:
 Operating Temperature/工作温度: $-55^{\circ}\text{C}\sim 125^{\circ}\text{C}$ (不带 LED指示灯)
 Relative humidity/相对湿度: $90\%\sim 95\%$ ($40\pm 2^{\circ}\text{C}$)
 Working voltage/工作电压: 150V
 Working current/工作电流: 1.5A
 Insulation resistance/绝缘电阻: $5000\text{M}\Omega$
 Withstand voltage/耐电压: 1000V
 Contact resistance/接触电阻: $\leq 20\text{m}\Omega$
 Data transmission performance/数据传输性能:
 RJ45: Insertion loss /插入损耗: 0.4dB(100MHz)
 Crosstalk /串 扰: 30.1dB (100MHz)
 Impedance /阻 抗: $100\pm 15\Omega$
 Cable/配接电缆: $\phi 7.0\text{mm}-\phi 8.0\text{mm}$

2) Mechanical data/机械特性:
 Connection type/连接方式: Bayonet connection/卡口连接
 Vibration/振 动: $10\sim 2000\text{Hz}$ 147m/s^2
 Shock Resistance/冲 击: 490m/s^2
 Salt Spray Corrosion/盐 雾: 96hr
 Endurance (Shell)/机械寿命: 500

3) Other Specification/其它规格:
 Housing Material/外壳材质: Aluminum alloy electroless plating
 dark nickel/铝合金镀化学哑镍
 Other metal spare parts/其余金属件: Aluminum alloy nickel
 plating/铝合金镀镍
 Spring material/弹簧材质: SUS316 /不锈钢316
 Sealing ring material/密封圈材质: Red silicone rubber/红色硅橡胶
 IP Rating/防护等级: IP68(Interpolation state/插合状态)

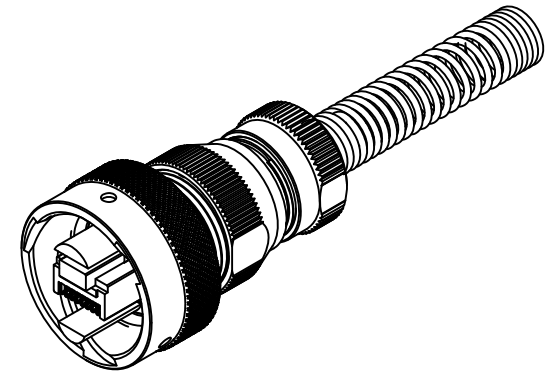
*ALL MATERIALS ARE RoHS COMPLIANT/所有材料均符合RoHS要求

| REV/版本 | DESCRIPTION/变更内容 | DATE/日期 | DRAWN BY/绘图 |
|--------|------------------|------------|-------------|
| A2 | “暗镍”改成“哑镍” | 2024.07.19 | Z02 |



View k
K向孔位排列

| Pin definition/引脚定义 | |
|---------------------|---------|
| 1 | TX+ |
| 2 | TX- |
| 3 | RX+ |
| 4 | N/C(空脚) |
| 5 | N/C(空脚) |
| 6 | RX- |
| 7 | N/C(空脚) |
| 8 | N/C(空脚) |



| | | | |
|---|------------------------|---|------------|
| TOLERANCES UNLESS OTHERWISE SPECIFIED: 未标注尺寸公差: .x ± 0.5 x.' ± 1.0 ' .xx ± 0.2 .x' ± 0.5 ' | THIRD ANGLE PROJECTION | Product name/产品名称 | |
| | SIZE: A4 | UNITS: mm | 插头 /plug |
| | SCALE: 1: 1 | SHEET: 1 OF 1 | |
| DRAWN BY: 绘图: Z02 | DATE/日期: 2024.07.19 | QM NO 料号 YW110Fm01S1-01A ($\phi 8$) | REV/ 版本 |
| CHECKED BY: 审核: PD05 | DATE/日期: 2024.07.19 | DRAWING NO 图号 | A2 |
| APPROVED BY: 核准: PD03 | DATE/日期: 2024.07.19 | CUSTOMER NO 客户料号 | |

| | |
|---|--|
| QM(Quanna) Connector Shenzhen Co. LTD 深圳市全马连接器有限公司 | |
|---|--|